

## TA70 - CERTIFIED GPS ANTENNA



## TA70 GPS ANTENNA

Trig's GPS antenna has been produced in conjunction with partners RAMI to ensure optimum performance with all Trig GPS position source products. The TA70 provides you with a fully certified TSO-C190 antenna – compatible and proven with Trig transponders and supported by our free ADS-B STC program.

Trig's GPS antenna is a future proof product, it is fully compliant with the latest FAA 2020 ADS-B requirements – this makes it the logical choice in the majority of installations.

## FEATURES

- TSO C-190 certified antenna
- Optimised for use with Trig GPS units
- Compliant for 2020 ADS-B Out
- Lightweight and simple to install
- Superior gasket for a weather tight seal
- Ideal as a retro-fit antenna option

## COMPATIBLE TRIG PRODUCTS

The TA70 can be paired with either our TN70 or TN72 GPS receivers. Each antenna comes with a simple installation guide and fixing kit.

## PRODUCT DESIGN

The antenna is light, easy to install and comes with a superior gasket feature – this provides coverage of existing antenna holes, giving a secure and weather tight seal.

## ADS-B COMPLIANCE

The TA70 antenna is included as standard in a TN70 GPS kit. This simplifies compliance as both the GPS and antenna meet the FAA 2020 mandate for ADS-B. For certified aircraft owners in North America, Trig offers a free FAA STC for the TA70 – this makes it straight forward to use in numerous popular airplane types.

Details of our STC provision and our aircraft AML list can be found at our [STC](#) support page.

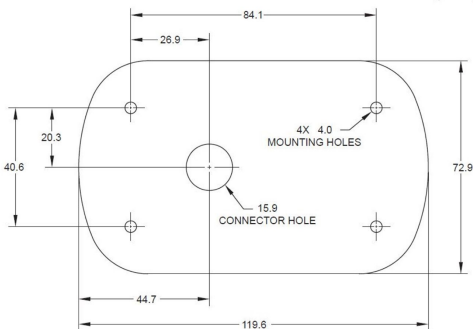
## VERSIONS

| Product / Model | Type   | Suitable for 2020 ADS-B rule airspace (US) | Supply voltage (DC) | Sales Part Number |
|-----------------|--|--|---------------------|-------------------|
| TA70            | WAAS GPS antenna – ideal retro-fit /with rubber gasket | Yes – certified to TSO-C190                | 4.5-14.5 VDC        | 01740-00          |

## SPECIFICATION

| Specification                | TA70 Antenna          |
|------------------------------|-----------------------|
| Type                         | WAAS GPS antenna      |
| Certification                | TSO-C190              |
| Compliance                   | DO-301, DO-160G       |
| Supply voltage (DC)          | 4.5-14.5 VDC          |
| Typical consumption (at 14v) | 40mA Typ / 60mA max   |
| Nominal Transmitter Power    | N/A                   |
| Operating temperature        | -40o – +105o          |
| Cooling requirement          | N/A                   |
| Weight                       | 0.31 lbs              |
| Dimensions (inches)          | 1.59" x 2.87" x 4.71" |

## TA70 MOUNTING TEMPLATE – METRIC MEASUREMENTS



All measurements in millimetres